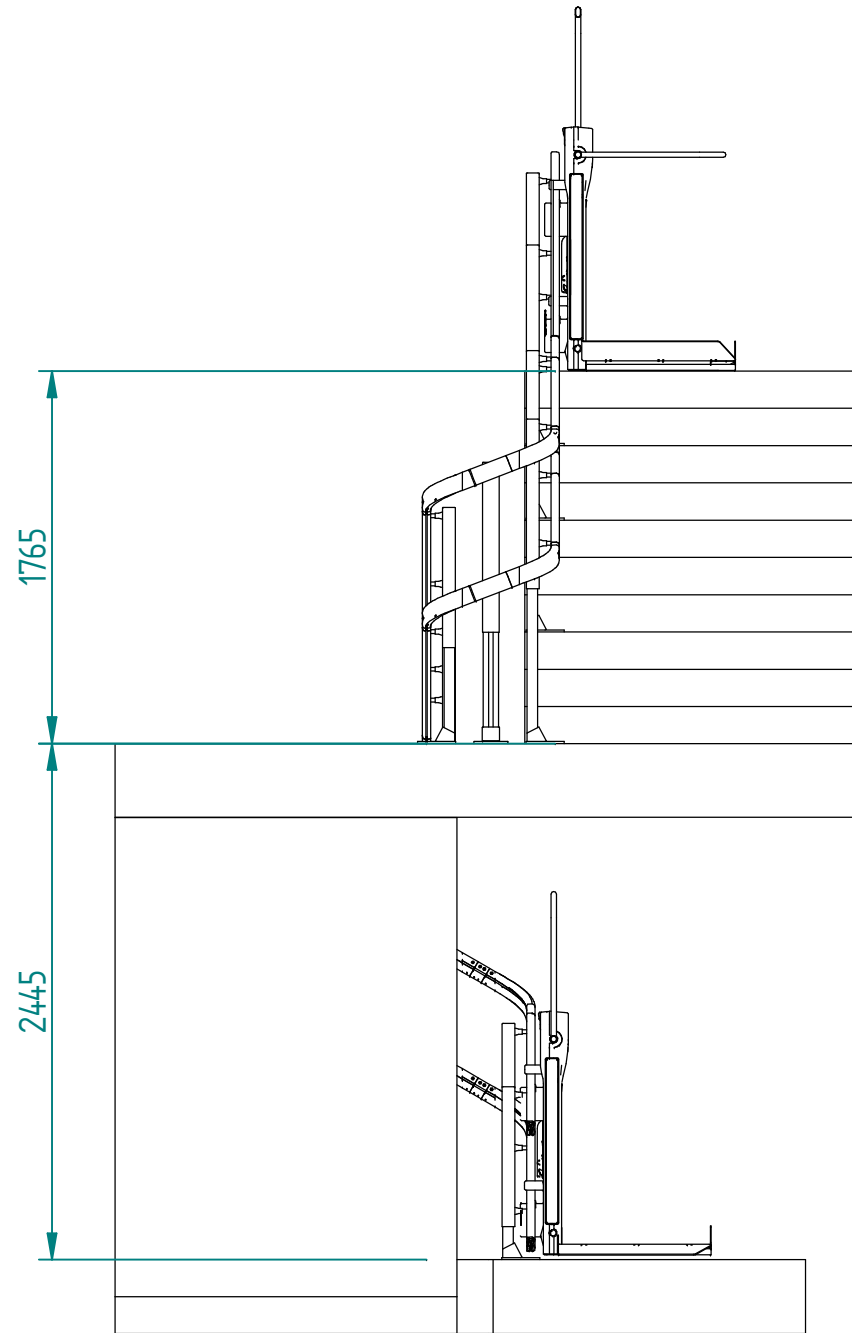
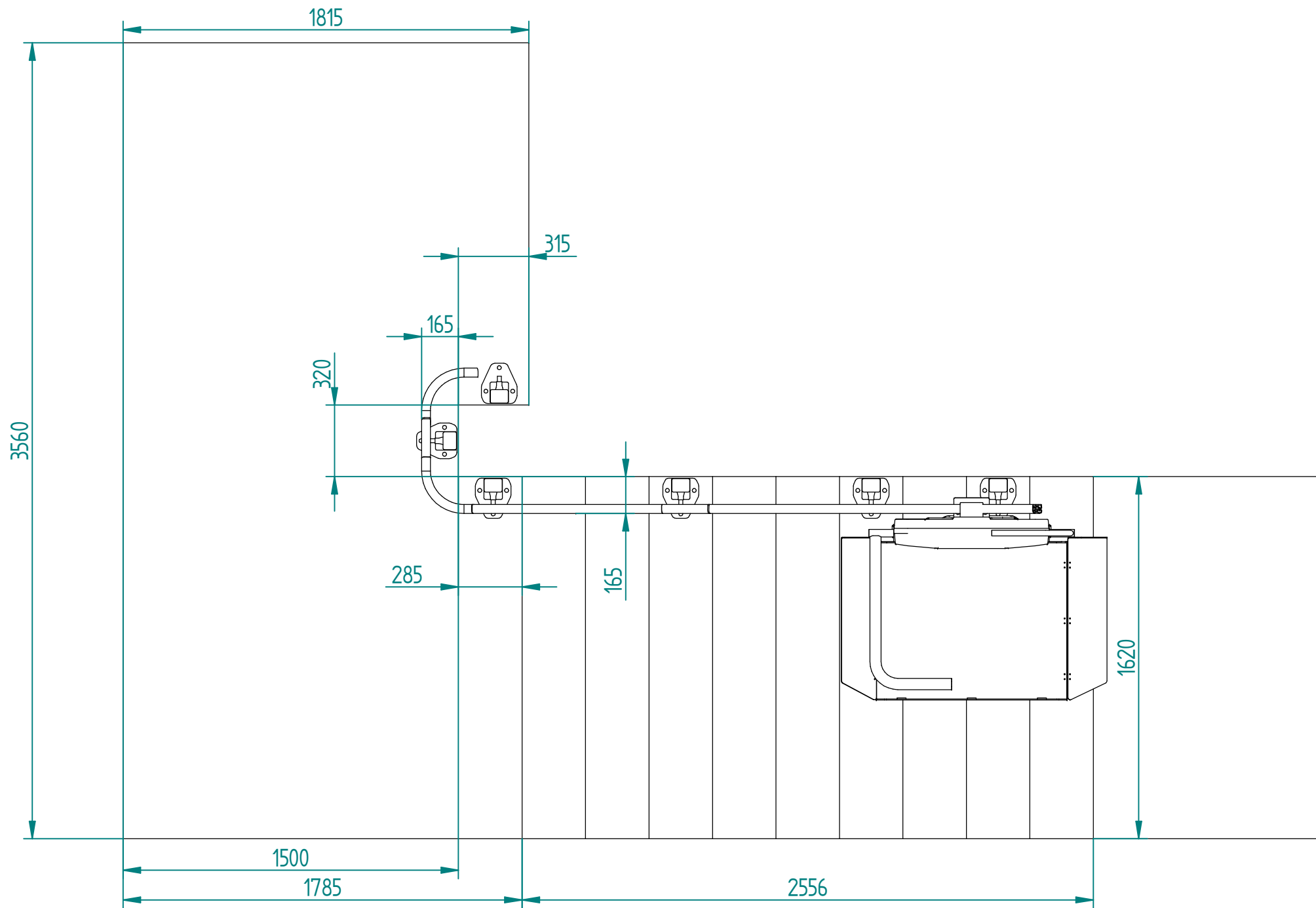


Pedana/ Dimension	Data/ Date	Vista/View
850X700	09/02/2023	LATERAL
Riferimento/ Reference		
SMURFIT KAPPA		
Cliente/ Customer		
ARCON POLSKA SP. Z.O.O.		

extrima®		
Ordine/Order	Rev.	Foglio/Sheet
2204440	B	2 / 5

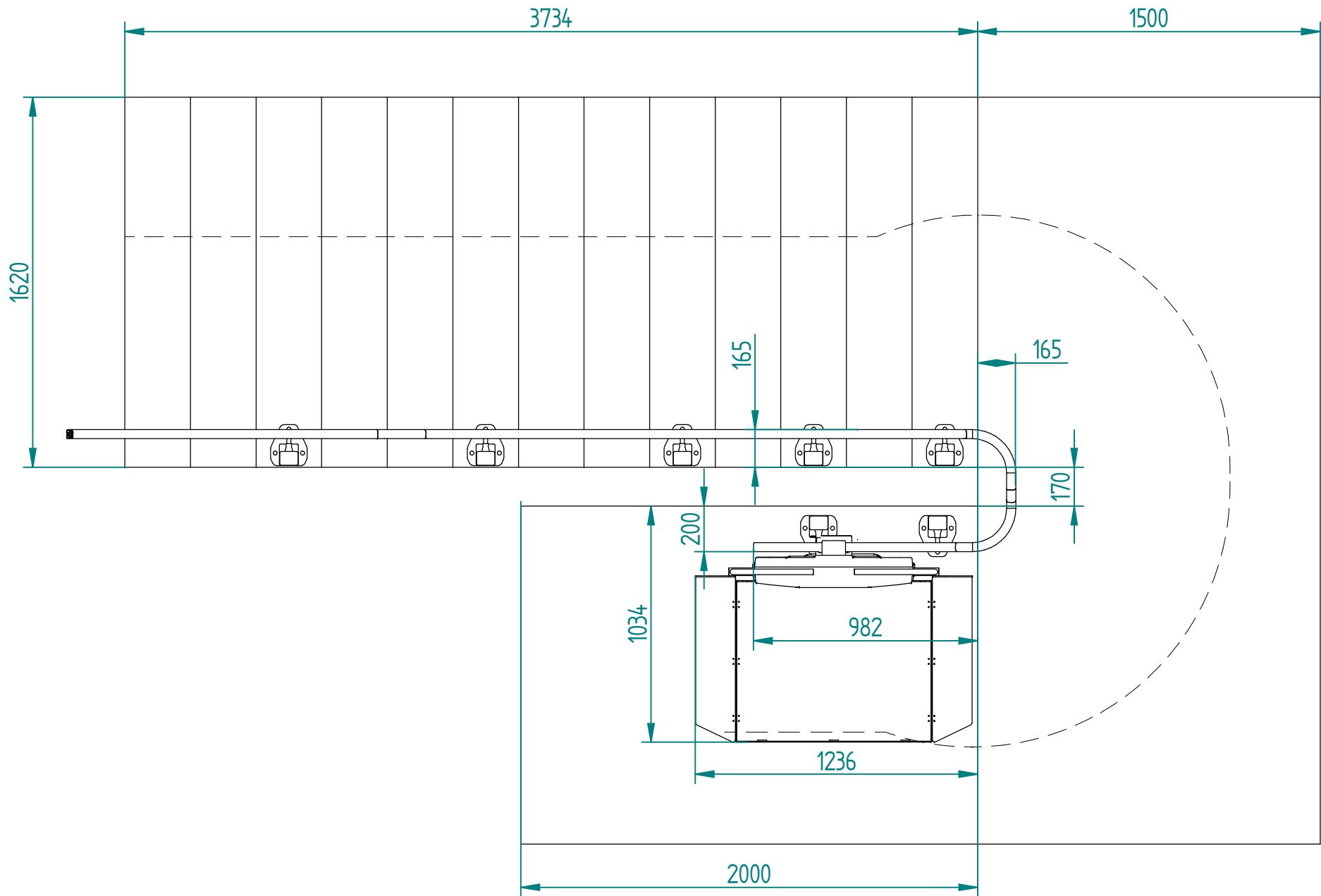


Pedana/ Dimension	Data/ Date	Vista/View	extrima®		
850X700	09/02/2023	FRONT			
Riferimento/ Reference			Ordine/Order	Rev.	Foglio/Sheet
SMURFIT KAPPA			2204440	B	3 / 5
Cliente/ Customer					
ARCON POLSKA SP. Z.O.O.					



Pedana/ Dimension	Data/ Date	Vista/View
850X700	09/02/2023	FLIGHT 2 / FLOOR 1
Riferimento/ Reference	SMURFIT KAPPA	
Cliente/ Customer	ARCON POLSKA SP. Z.O.O.	

extrima [®]	
Ordine/Order	Rev. Foglio/Sheet
2204440	B 4 / 5



Pedana/ Dimension	Data/ Date	Vista/View
850X700	09/02/2023	FLIGHT 1 / FLOOR 0
Riferimento/ Reference	SMURFIT KAPPA	
Cliente/ Customer	ARCON POLSKA SP. Z.O.O.	

extrima [®]		
Ordine/Order	Rev.	Foglio/Sheet
2204440	B	5 / 5